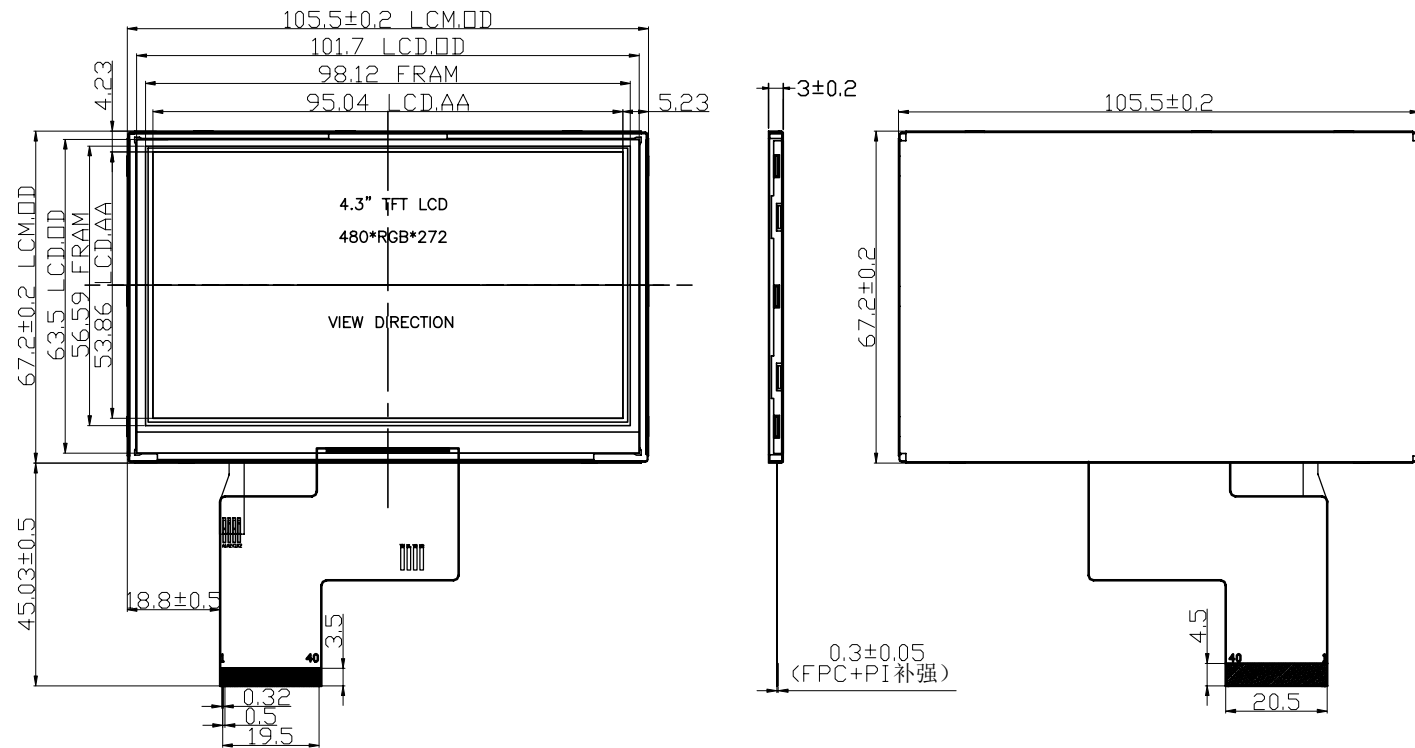


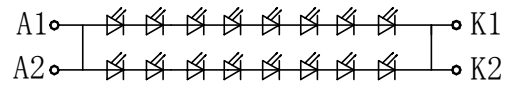
已确认此版本的所有图纸

客户签名: 日期:

REV	DESCRIPTION	DATE
1.0	首次设计	2021-07-15



Pin Assignment	
1	LEDK
2	LEDA
3	GND
4	VCC
5	R0
6	R1
7	R2
8	R3
9	R4
10	R5
11	R6
12	R7
13	G0
14	G1
15	G2
16	G3
17	G4
18	G5
19	G6
20	G7
21	B0
22	B1
23	B2
24	B3
25	B4
26	B5
27	B6
28	B7
29	GND
30	CLK
31	DISP
32	HS
33	VS
34	DE
35	NC
36	GND
37	TP_R
38	TP_D
39	TP_L
40	TP_U



I=40mA V=24V

- NOTES:
- 1、Display type: 4.3"
  - 2、Viewing direction: 6 O' CLOCK
  - 3、Drive IC: ST7282
  - 4、Backlight color: 16 LED WHITE
  - 5、Operation temperature: -20~70° C
  - 6、Storage temperature: -30~80° C
  - 7、LCM Operating Voltage:Vdd=3.3V
  - 8、VAmds: 模块可视区域, 建议外壳可视区域比VAmds单边小0.3以上

<p>Kingtech Group Co.,Ltd.</p>	TITLE: ASSEMBLY	DO NOT SCALE THIS DRAWING, GENERAL TOLERANCE:±0.2		
	PART NO.:	<b>PV043012HZ40M</b>		
	DRAWN BY:	DATE:	PROJECTION:	
	CHECKED BY:	DATE:	SCALE:N.T.S	UNIT: mm
	APPROVED BY:	DATE:	SHEET: 1 OF 1	